

## Description

Single pole thermal circuit breakers with push-to-reset, tease-free, trip-free, snap action mechanism (R type TO CBE to EN 60934; M-type when fitted with manual release features/type 2-6200 only). Featuring auxiliary contacts (1 x N/C; 1 x N/O) as standard. Options include manual release (type 2-6200 only), an additional unprotected circuit tap (-A3) and a centre reset position in which all contacts are open (-ZR: type 2-6200-H only). Approved to CBE standard EN 60934 (IEC 60934).

## Typical applications

Motors, transformers, solenoids, controls for oil and gas boilers.

## Ordering information

### Type No.

**2-6200** flange mounting, with auxiliary contacts  
**2-6400** threadneck panel mounting, with auxiliary contacts mounting hardware bulk shipped

### Mounting (type 2-6400 only)

**iG1** moulded threadneck 3/8-27UNS-2A

**iG2** moulded threadneck M12x1

### Terminal design - main circuit

**L10** solder terminals

**P10** blade terminals A6.3-0.8 mm (QC .250)

### Shunt terminal (optional)

**A3** shunt terminal same as main terminal (up to 7/5 A max. load; up to 16 A/10 A max. load)

### Manual release (optional)

**H** manual release facility (type 2-6200 only)

### Intermediate position (optional)

**ZR** intermediate position (type 2-6200-H only)

### Auxiliary contacts (standard)

**Si** N/O and N/C contacts, solder terminals

### Current ratings

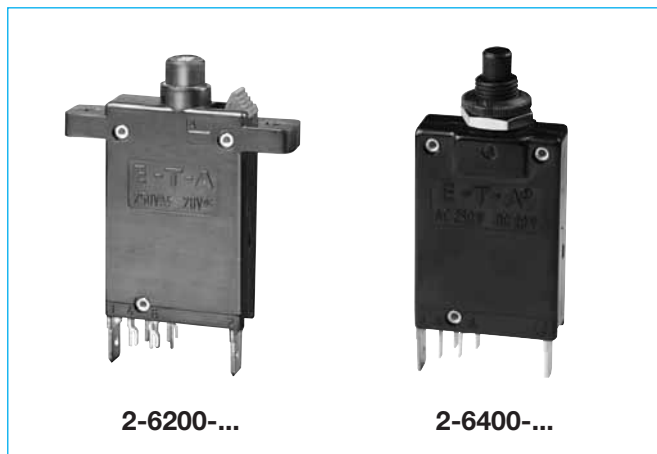
**0.05...16 A**

**2-6200 - .. - P10 - .. - .. - Si - 8 A** ordering example

The exact part number required can be built up from the table of choices shown above. Ordering references for optional features should be omitted if not required.

## Standard current ratings and typical internal resistance values

Current rating (A)	Internal resistance (Ω)	Current rating (A)	Internal resistance (Ω)
0.05	257	2	0.30
0.08	138	2.5	0.20
0.1	90	3	0.12
0.2	32.2	3,5	0.10
0.3	14.6	4	0.07
0.4	8.4	4.5	0.056
0.5	5.15	5	0.046
0.6	3.82	6	0.035
0.7	2.80	7	0.03
0.8	2.15	8	< 0.02
1	1.42	10	< 0.02
1.2	0.96	12	< 0.02
1.5	0.51	15	< 0.02
1.8	0.40	16	< 0.02



## Technical data

For further details please see chapter: Technical Information

Voltage rating	AC 250 V; DC 28 V	
Current rating range	0.05...16 A	
Auxiliary circuit	1 A, AC 250 V/DC 28 V	
Typical life	AC 250 V / DC 28 V: 0.05...16 A 5,000 operations at 2 x I <sub>N</sub> , inductive	
Ambient temperature	-20...+60 °C (-4...+140 °F)	
Insulation co-ordination (IEC 60664 and 60664A)	rated impulse withstand voltage 2.5 kV	pollution degree 2 reinforced insulation in operating area
Dielectric strength (IEC 60664 and 60664A)	test voltage operating area AC 3,000 V	
	main circuit to aux. circuit AC 1,500 V	
	aux. circuit 4-5 to 6-7 AC 840 V	
Insulation resistance	> 100 MΩ (DC 500 V)	
Interrupting capacity I <sub>cn</sub>	10 x I <sub>N</sub>	
Interrupting capacity (UL 1077)	I <sub>N</sub>	U <sub>N</sub>
	0.05...4.5 A	AC 250 V 200 A
	5...7 A	AC 250 V 1,000 A
	8...15 A	AC 250 V 2,000 A
	16 A	AC 250 V 3,500 A

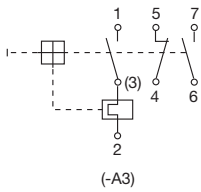
Degree of protection (IEC 60529/DIN 40050)	operating area IP40 terminal area IP00
Vibration	10 g (57-500 Hz) ± 0.76 mm (10-57 Hz), to IEC 60068-2-6, test Fc, 10 frequency cycles/axis
Shock	40 g (11 ms) to IEC 60068-2-27, test Ea
Corrosion	96 hours at 5 % salt mist, to IEC 60068-2-11, test Ka
Humidity	240 hours at 95 % RH to IEC 60068-2-78, test Cab
Mass	approx. 25 g

## Approvals

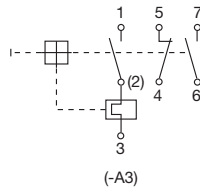
Authority	Voltage ratings	Current ratings
VDE (EN 60934)	AC 250 V; DC 28 V	0.05...16 A
CSA/ UL	AC 250 V; DC 28 V	0.05...16 A

## Internal connection diagrams

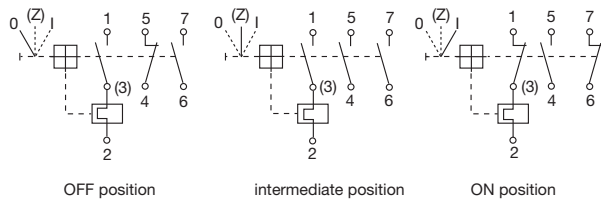
0.05 ... 7 A



8 ... 16 A



2-6200-...-ZR

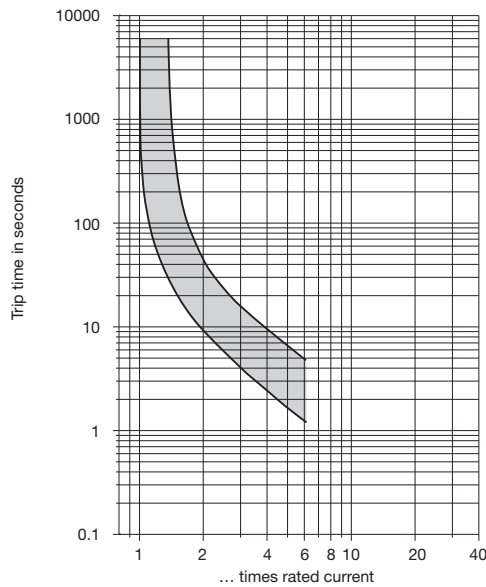


OFF position

intermediate position

ON position

## Typical time/current characteristics at +23 °C/+73.4 °F

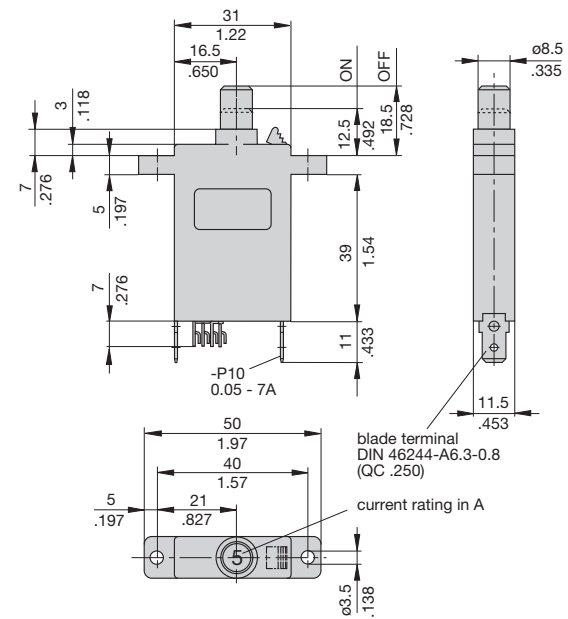


The time/current characteristic curve depends on the ambient temperature prevailing. In order to eliminate nuisance tripping, please multiply the circuit breaker current ratings by the derating factor shown below. See also section 9 – Technical information.

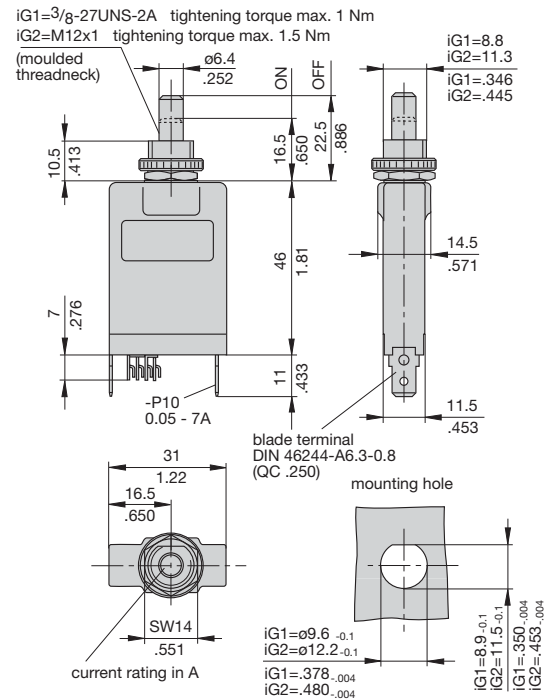
Ambient temperature °F	-4	+14	+32	+73.4	+104	+122	+140
°C	-20	-10	0	+23	+40	+50	+60
Derating factor	0.76	0.84	0.92	1	1.08	1.16	1.24

## Dimensions

2-6200-...



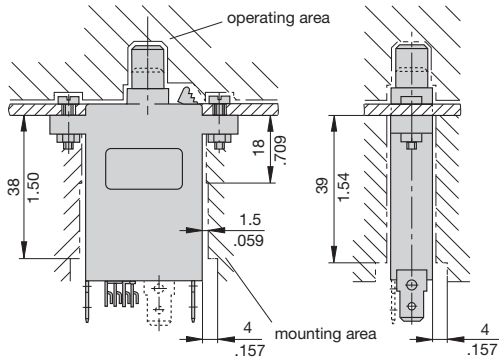
2-6400-...



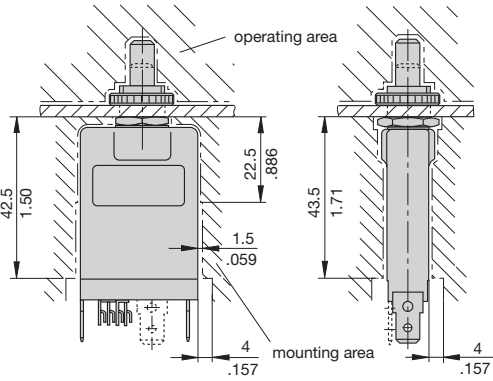
This is a metric design and millimeter dimensions take precedence (mm/inch)

## Installation drawings

### 2-6200-...



### 2-6400-...

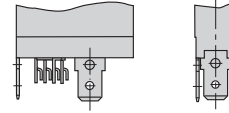


## Terminal design

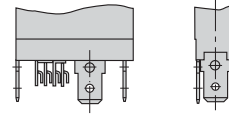
### -P10 0.05...7 A

See dimension diagram.

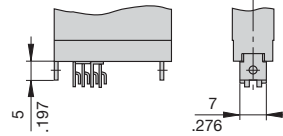
### -P10 8...16 A



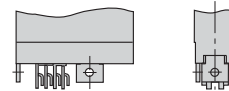
### -P10-A3 0.05...16 A



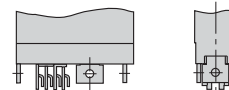
### -L10 0.05...7 A



### -L10 8...16 A



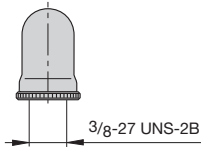
### -L10-A3 0.05...16 A



## Accessories for type 2-6400-...

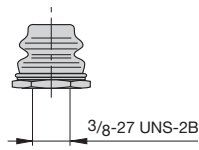
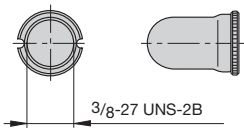
With 3/8" threadneck (-iG1)

Water splash cover, transparent Y 300 538 01 and knurled nut Y 300 628 01 X 200 799 01 (IP64)



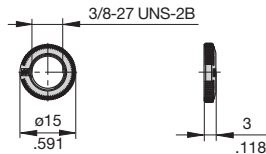
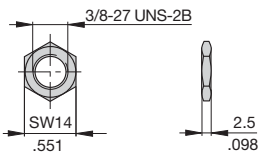
Water splash cover, transparent with special knurled nut X 200 798 02 (IP64)

Hex nut with splash cover black without O ring X 210 739 01 (IP64)  
transparent splash cover X 201 296 03 (IP64)



Separate hardware  
Hex nut  
Y 300 192 01

Knurled nut  
Y 307 117 02

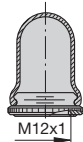


With M12 threadneck (-iG2)

Hex nut with splash cover, black X 201 296 01 without O ring (IP64)  
X 200 801 03 with O ring (IP66 and IP67)

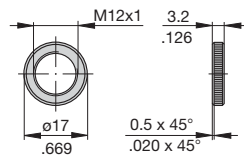
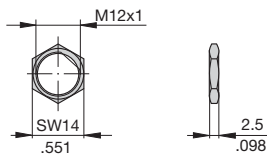
Water splash cover, transparent with knurled nut and O ring X 210 663 01 (IP64)

Hex nut with splash cover, transparent X 200 801 08 with O ring (IP66 and IP67)



Hex nut  
Y 300 116 02

Knurled nut  
Y 302 065 01



This is a metric design and millimeter dimensions take precedence ( $\frac{mm}{inch}$ )

All dimensions without tolerances are for reference only. In the interest of improved design, performance and cost effectiveness the right to make changes in these specifications without notice is reserved. Product markings may not be exactly as the ordering codes. Errors and omissions excepted.