

I_Z series

New!

Rear mounted sealed pushbutton switches - bushing Ø 16 mm - metal - momentary

Distinctive features and specifications

UG1006-A



- Rear mounting for easier installation
- Momentary metal models
- Fixed or variable panel thickness
- Screw version available up to 4A
- Sealed to IP67
- Illuminated or non-illuminated
- Flat actuator for optional marking

ENVIRONMENTAL SPECIFICATIONS

- Front panel sealing : IP67 according to IEC 60529
- Shock resistance : 100 g according to IEC 512-4, test 6c
- Vibration resistance : 10-500Hz - 10 g according to IEC 512-4, test 6d
- Salt spray : IEC 512-6, test 11f
- Operating temperature : -40°C to +85°C

ELECTRICAL SPECIFICATIONS

- Max. current/voltage rating with resistive load :
 - Gold plated silver contacts (code 4) : 200mA 48VDC - 200mA 250VAC
 - Silver contacts (code 2) - screw terminals : 2A 250VAC - 4A 48VDC
- Electrical life at full load : 500.000 cycles
- Initial contact resistance : 100 mΩ max.
- Insulation resistance : 1 GΩ min. at 500VDC
- Dielectric strength : 1.000 Vrms 50 Hz

LED COMPONENT SPECIFICATIONS

| LED colour | Forward current | Typ. forward voltage | Max. forward voltage |
|-----------------|-----------------|----------------------|----------------------|
| Super red (LOS) | 20mA | 2,1V | 2,3V |
| Yellow (LOY) | 20mA | 2,1V | 2,3V |
| Green (LOG) | 20mA | 2,1V | 2,3V |
| Blue (LOB) | 20mA | 3,2V | 3,8V |
| White (LOW) | 20mA | 3,35V | 4,25V |

A resistor must be series-connected by the user.

Resistor value = $\frac{\text{supply voltage} - \text{LED forward voltage}}{\text{LED forward current}}$

On flying lead versions, the LED resistor can be integrated by APEM on request.

GENERAL SPECIFICATIONS

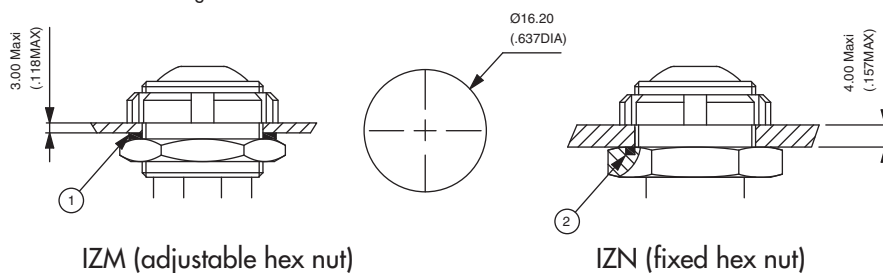
- Panel thickness :
 - IZM : 3 mm (.118) max.
 - IZN : 4 mm (.157) max.
- Total travel : 1,8 mm (.070) +/- 0,3 mm
- Typical operating force : 6N +/- 2N
- Mechanical life : 1.000.000 cycles
- Torque : IZN : 1 Nm max.
IZM : 0,7 Nm max. applied to nut
- Soldering : 320°C max. for 3 sec.

MATERIALS

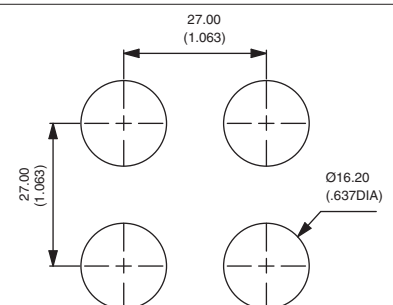
- Case : thermoplastic UL94-V0
- Plunger : polyamide
- Bushing/bezel : brass, nickel plated
- Contacts :
 - 4 : silver, gold plated
 - 2 : silver (screw terminals)
- Multi-wire lead AWG20, section 0,6 mm²
- LED wire : AWG26, section 0,12 mm²
- Lens : polycarbonate
- Terminal seal : epoxy

PANEL CUT-OUT

- ① Flat seal ② O-ring



MATRIX MOUNTING

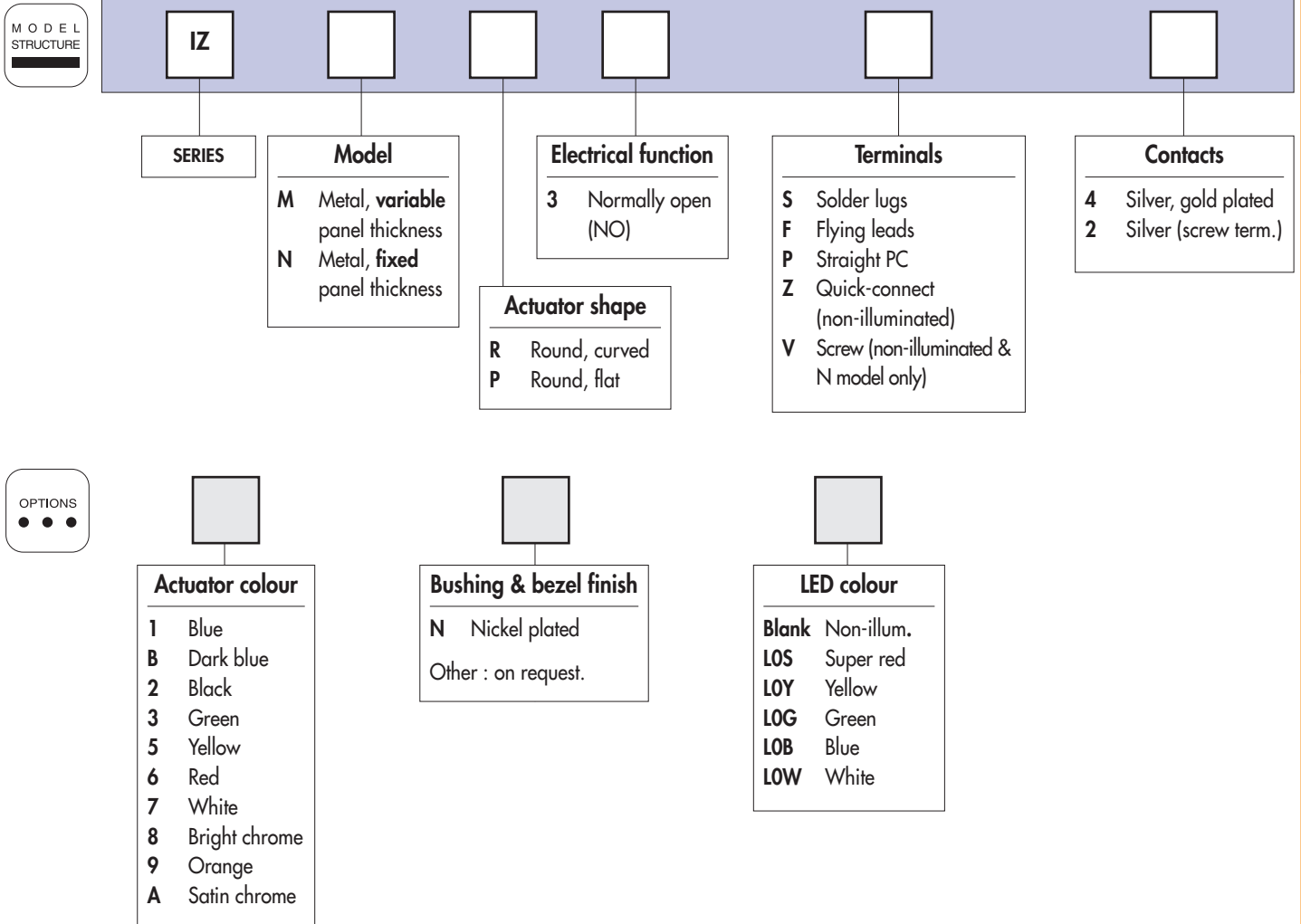


New!

IZ series

Rear mounted sealed pushbutton switches - bushing Ø 16 mm - metal - momentary

Overview



ABOUT THIS SERIES

On the following pages, you will find successively :
model structure of switches and options in the same order as in above chart

Dimensions : first dimensions are in mm while inches are shown as bracketted numbers.



NOTICE : please note that not all combinations of above numbers are available.
Refer to the following pages for further information.



Mounting accessories : Standard hardware supplied :

- IZM : 1 castellated nickel plated brass nut U6915 + 1 silicone flat seal + 1 hex nut 19 mm (.748) across flats U4116.
- IZN : 1 castellated nickel plated brass nut U6915 + 1 O-ring



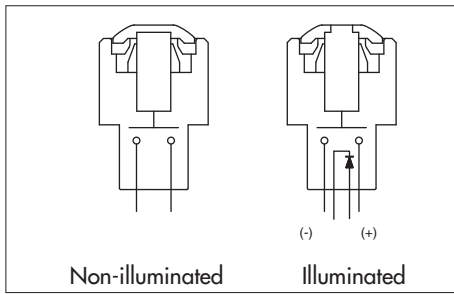
Packaging unit : 25 pieces for flying lead models - 40 pieces for other models

IZ series

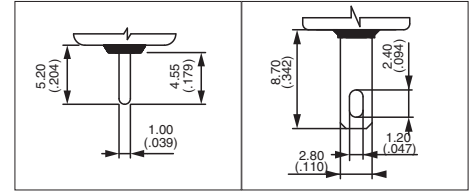
New!

Rear mounted sealed pushbutton switches - bushing Ø 16 mm - metal - momentary

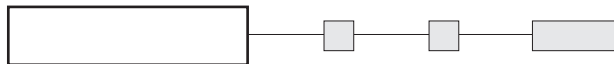
For variable panel thickness : IZM



- Five LED colours
- Tin plated LED terminals
- Gold plated contacts



MODEL STRUCTURE



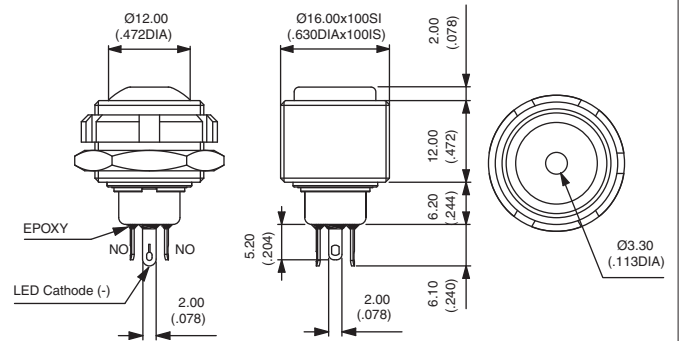
Plunger marking available on IZMP models (symbol 10 mm max.). On request.

Illuminated - solder lug terminals



Curved actuator
IZMR3S4  Normally Open

Flat actuator
IZMP3S4  Normally Open



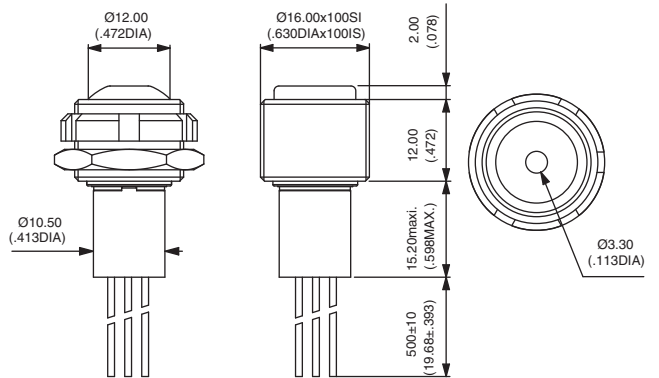
Also available with straight PC terminals : **IZM•3P4**.
LED colour is indicated by the bottom of the switch.

Illuminated - flying lead terminals



Curved actuator
IZMR3F4  Normally Open

Flat actuator
IZMP3F4  Normally Open



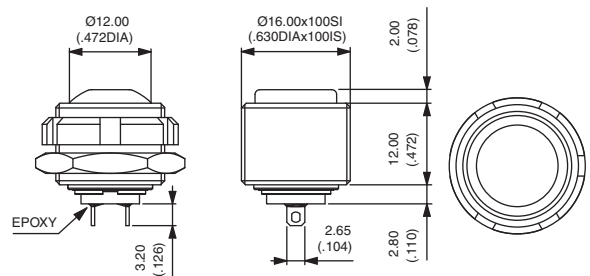
Wire colours : black : NO contact,
red : LED anode (+), blue : LED cathode (-)

Non-illuminated - solder lug terminals



Curved actuator
IZMR3S4  Normally Open

Flat actuator
IZMP3S4  Normally Open



Also available with straight PC terminals :
IZM•3P4 and quick-connect terminals : **IZM•3Z4**.

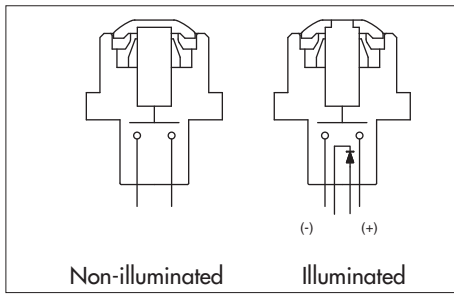
For non-illuminated FLYING LEAD versions, refer to illuminated models above. Non-illuminated have 2 wires only.

New!

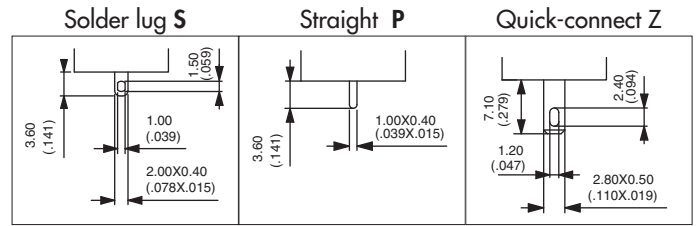
IZ series

Rear mounted sealed pushbutton switches - bushing Ø 16 mm - metal - momentary

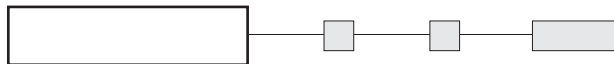
For fixed panel thickness : IZN



- Five LED colours
- Tin plated LED terminals



MODEL STRUCTURE



Plunger marking available on IZNP models (symbol 10 mm max.). On request.

Illuminated - solder lug terminals

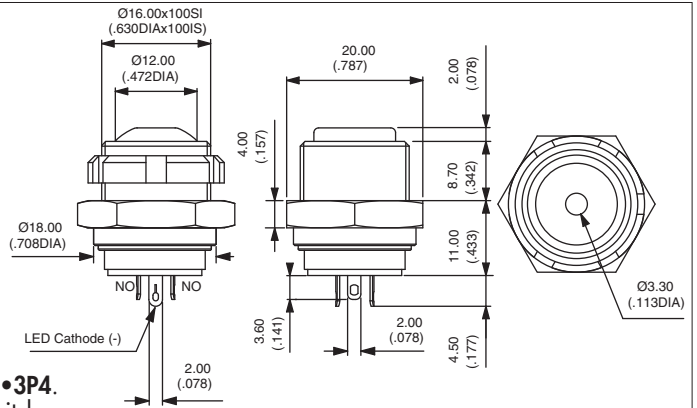


GOLD PLATED CONTACTS

Curved actuator
IZNR3S4 Normally Open

Flat actuator
IZNP3S4 Normally Open

Also available with straight PC terminals : **IZN•3P4**.
LED colour is indicated by the bottom of the switch.



Illuminated - sealed flying lead terminals

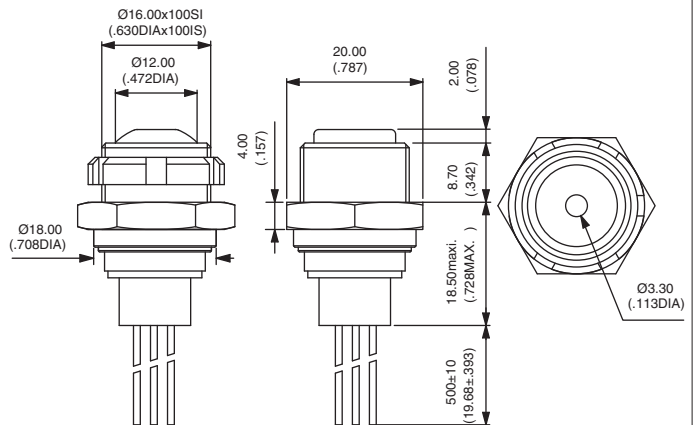


GOLD PLATED CONTACTS

Curved actuator
IZNR3F4 Normally Open

Flat actuator
IZNP3F4 Normally Open

Wire colours : black : NO contact,
red : LED anode (+), blue : LED cathode (-)



Non-illuminated - solder lug terminals

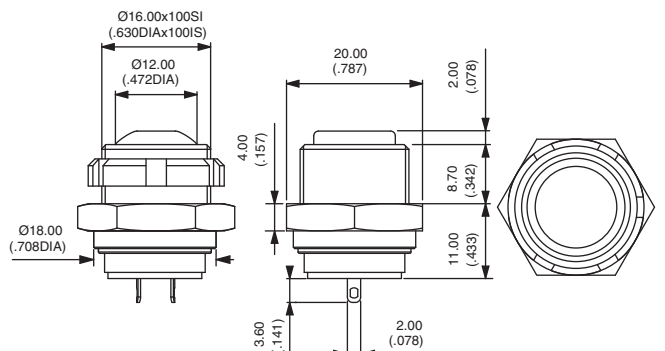


GOLD PLATED CONTACTS

Curved actuator
IZNR3S4 Normally Open

Flat actuator
IZNP3S4 Normally Open

Also available with straight PC terminals :
IZN•3P4 and quick-connect terminals : **IZN•3Z4**.



For non-illuminated FLYING LEAD versions, refer to illuminated models above. Non-illuminated have 2 wires only.

IZ series

New!

Rear mounted sealed pushbutton switches - bushing Ø 16 mm - metal - momentary

For fixed panel thickness : IZN - options

Non-illuminated - screw terminals



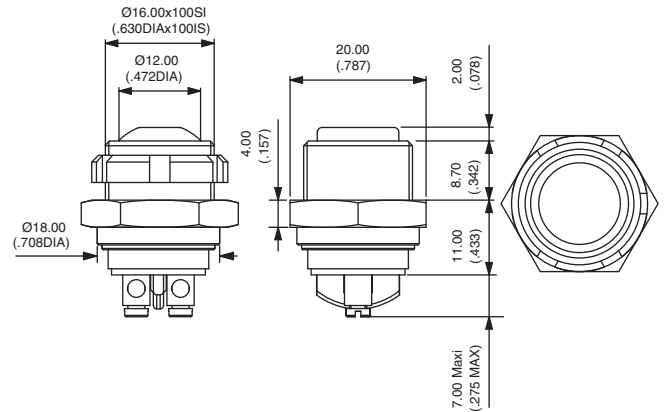
SILVER CONTACTS

Curved actuator
IZNR3V2

 Normally open

Flat actuator
IZNP3V2

 Normally open



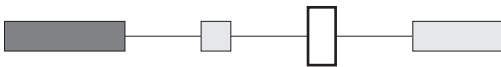
B

ACTUATOR COLOUR



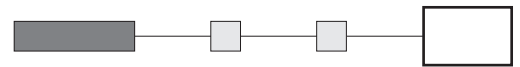
1 : blue - **B** : dark blue - 2 : black - 3 : green - 5 : yellow - 6 : red - 7 : white - 8 : bright chrome - 9 : orange
A : satin chrome

BUSHING AND BEZEL COLOUR



N : nickel plated (standard)
Other : on request.

LED COLOUR



Blank : non-illuminated
LOS : super red - **LOY** : yellow - **LOG** : green
LOB : blue - **LOW** : white